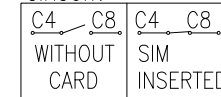
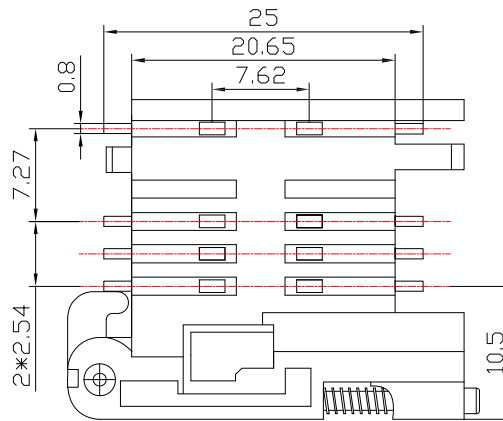
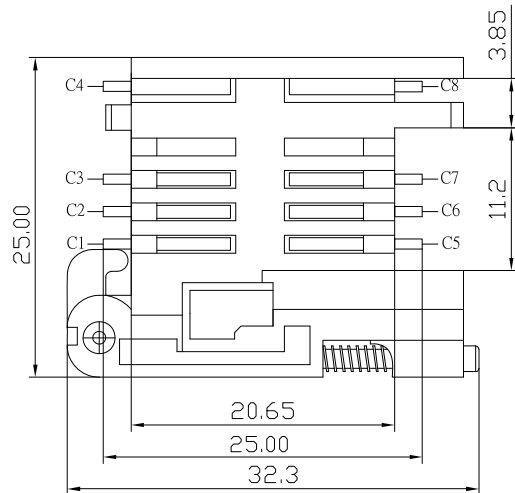


PCB LAYOYT

CIRCUIT:



PIN NO.	PIN NAME
C1	Supply Voltage Vcc
C2	Reset (RST)
C3	Clock (CLK)
C4	N/A
C5	Ground
C6	Programming Voltage Vpp
C7	I/O
C8	N/A



SPECIFICATION

Electrical :

- Contact Resistance: 100 mΩ Max.
- Insulation Resistance: 1000 MΩ Min.

Environmental:

- Operating Temperature: -40°C ~ +85°C.

Material:

- Housing: LCP
- Contact: Phosphor Bronze

Finish:

- Contact: Plated Gold in Mating Area ;
Tin Plated on Solder Balls ;
Nickel under plated overall



TOLERANCE UNLESS OTHERWISE STATED :

Up to 5 ±0.2
Above 5 ~ 15 ±0.3
Above 15 ~ 30 ±0.4
Above 30 ~ 50 ±0.5
Angle ±0.3

3RD. ANGEL'S



UNITS MM

DRAWN BY: Jack Lu
CHECKED BY: Jacky Chen
APPROVED BY: Tony Kao

DATE: 02/24/20
DATE: 02/24/20
DATE: 02/24/20

MAT'L		TITLE	CONNECTOR
FINISH		MODLE	SIM CARD 推桿式(6P+2P)
SCALE	1 : 1	DWG NO.	SIM-08300-S304
SHEET NO.	1 of 1	PART NO.	SIM-08300-S304
		SIZE	A4
		VER	R

ITEM NO.	DESCRIPTION	DRAWN	DATE